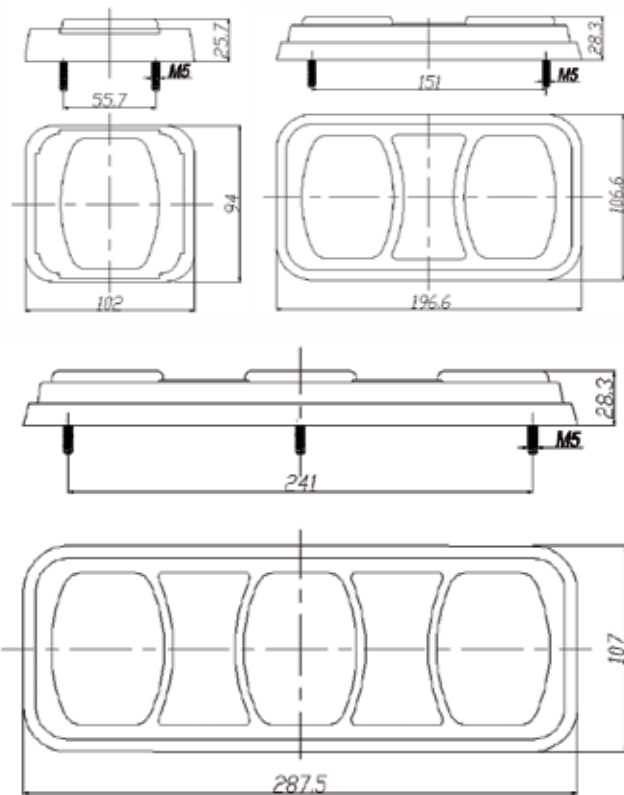


# TRUCK & TRAILER LAMPS Series 80

- HIGH QUALITY LED'S (LOW POWER CONSUMPTION)
- POLYCARBONATE LENS & BODY
- HIGH QUALITY RESIN (ADAPTS TO TEMPERATURE CHANGE)
- TINNED COPPER WIRE
- STAINLESS STEEL FITTINGS
- VIBRATION & SHOCK RESISTANT
- MULTI VOLTAGE 10-30V
- BUILT IN REFLEX REFLECTOR
- ADR APPROVED
- CABLE LENGTH (300mm)
- MEASUREMENTS:

SINGLES - 102mm x 94mm x 26mm  
 DOUBLES - 197mm x 107mm x 28mm  
 TRIPLES - 288mm x 107mm x 28mm



**BR80AR** Blister pack  
**OC80AR** OEM pack

*Stop/tail & Indicator  
 Built in reflex reflector*

ADR - 49/00, 49/00, 47/00, 6/00 (Cat 2a)  
 CRN - 40713, 40712, 40710, 40723



**BR80ARR** Blister pack  
**OC80ARR** OEM pack

*Dual stop/tail & Indicator  
 Built in reflex reflector*

ADR - 49/00, 49/00, 47/00, 6/00 (Cat 2a)  
 CRN - 40713, 40712, 40710, 40723



**BR80ARW** Blister pack  
**OC80ARW** OEM pack

*Stop/tail, Indicator & reverse  
 Built in reflex reflector*

ADR - 49/00, 49/00, 47/00, 1/00, 6/00 (Cat 2a)  
 CRN - 40713, 40712, 40710, 40709, 40723



**BR80R** Blister pack  
**OS80R** OEM pack

*Stop/tail*

ADR - 49/00, 49/00  
 CRN - 40398, 40397



**BR80A** Blister pack  
**OS80A** OEM pack

*Indicator*

ADR - 6/00 (Cat 2a)  
 CRN - 40395



**BR80W** Blister pack  
**OC80W** OEM pack

*Reverse*

ADR - 1/00  
 CRN - 40396